

New! Viega Advantix Vario:
The first tailor-made
shower channel.



viega

Viega Advantix Vario: Continuously variable from 30 to 120 cm

A great success – that's the long and the short of it

Viega Advantix Vario is the first shower channel that can be continuously shortened. It can be cut to the required length with millimetre precision and very little effort. It can then be fitted along the wall or anywhere in the room. This enables one to react to all of the requirements on site. An overview of the advantages:

- simple, quick mounting
- secure sealing concept
- attractive, unobtrusive design
- reduced warehousing
- height adjustable grate
- adjustable installation height
- self-cleaning drain
- comprehensive accessories

DESIGN PLUS

powered by: ISH



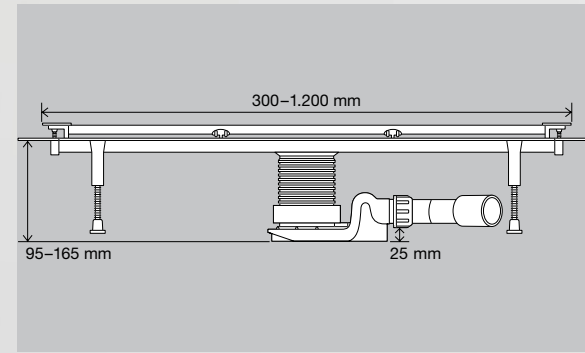
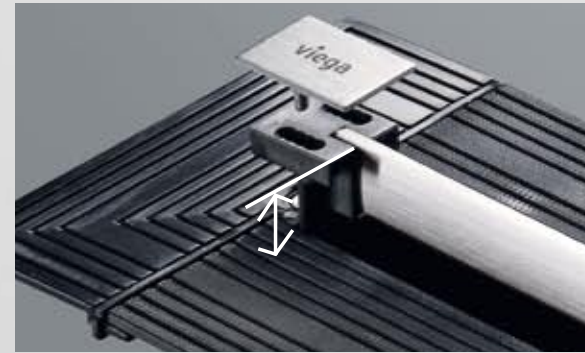
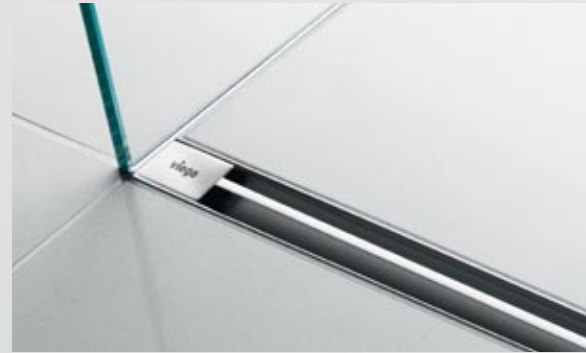
reddot design award
winner 2011



Designpreis
Deutschland
2012

NOMINEE





Attractive unobtrusive design

The fine stainless steel base grate integrates harmoniously into any tile pattern. Additional design variations are created by the inclusion of tile border rails with a polished or matt surface. Advantix Vario has already received many design prizes for this.

Reduced warehousing

With Advantix Vario, the right length is always in stock, special lengths are now a thing of the past. Only one basic unit and two grate variations for all solutions make the logistics noticeably simple. The universal channel does not require much space, thus saving space in the storeroom.

Height adjustable grate

Using the adjustable grate holder, the grate height can be adjusted exactly to various tile heights from 5 to 20 mm. If thicker floor coverings, e.g. natural stone, are used, the grate holder can be adjusted by 15 to 30 mm with help of an accessory set.

Variable installation height

The installation height is between 95 and 165 mm. Even in the flattest installation situation, the height difference between drain supports and the floor is only 25 mm. A 2.5 m slope in the connection pipe can therefore be achieved without needing to lift the shower channel. Depending on the installation situation, the drainage capacity is between 0.4 and 0.8 l/s.

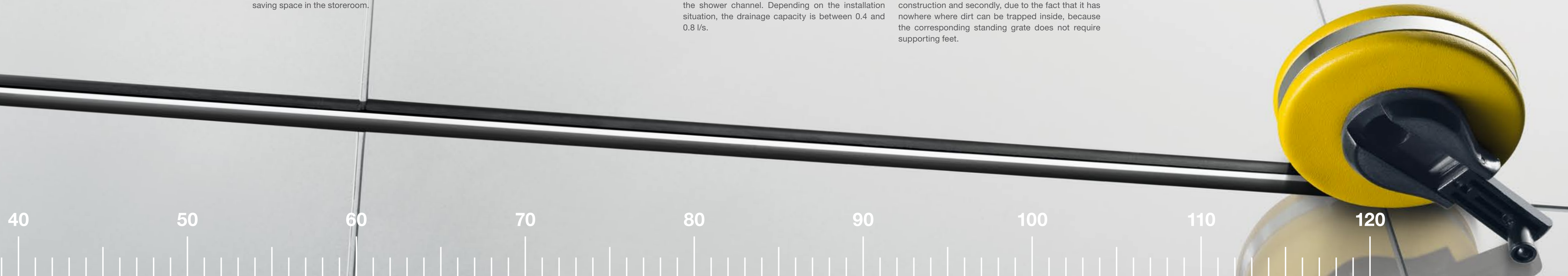
Self-cleaning drain

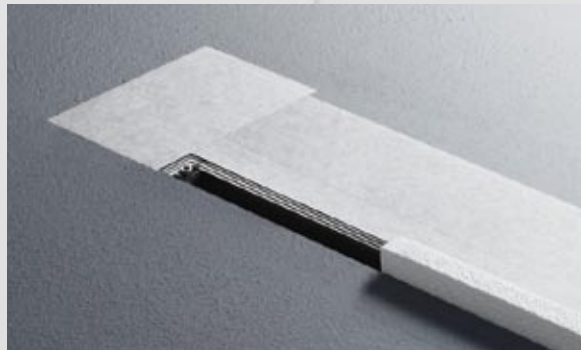
Complete drainage without residue is achieved thanks to the minimal flow resistance and high flow rates of the specially constructed drain set. Even the basic unit of the Advantix Vario shower channel is extremely easy to clean: Firstly, due to its narrow construction and secondly, due to the fact that it has nowhere where dirt can be trapped inside, because the corresponding standing grate does not require supporting feet.

Comprehensive accessories

The chamfer makes cleaning the cut edge easier. Unused pieces of grate longer than 30 cm in length can be re-used. There are two standing grate accessory sets available: matt or polished.

Removing the narrow channel grate from the shower channel for cleaning is child's play with the extraction tool. If cleaning of the drain and connection pipe is desired, this can be done using the cleaning adapter and standard plumber's helper.



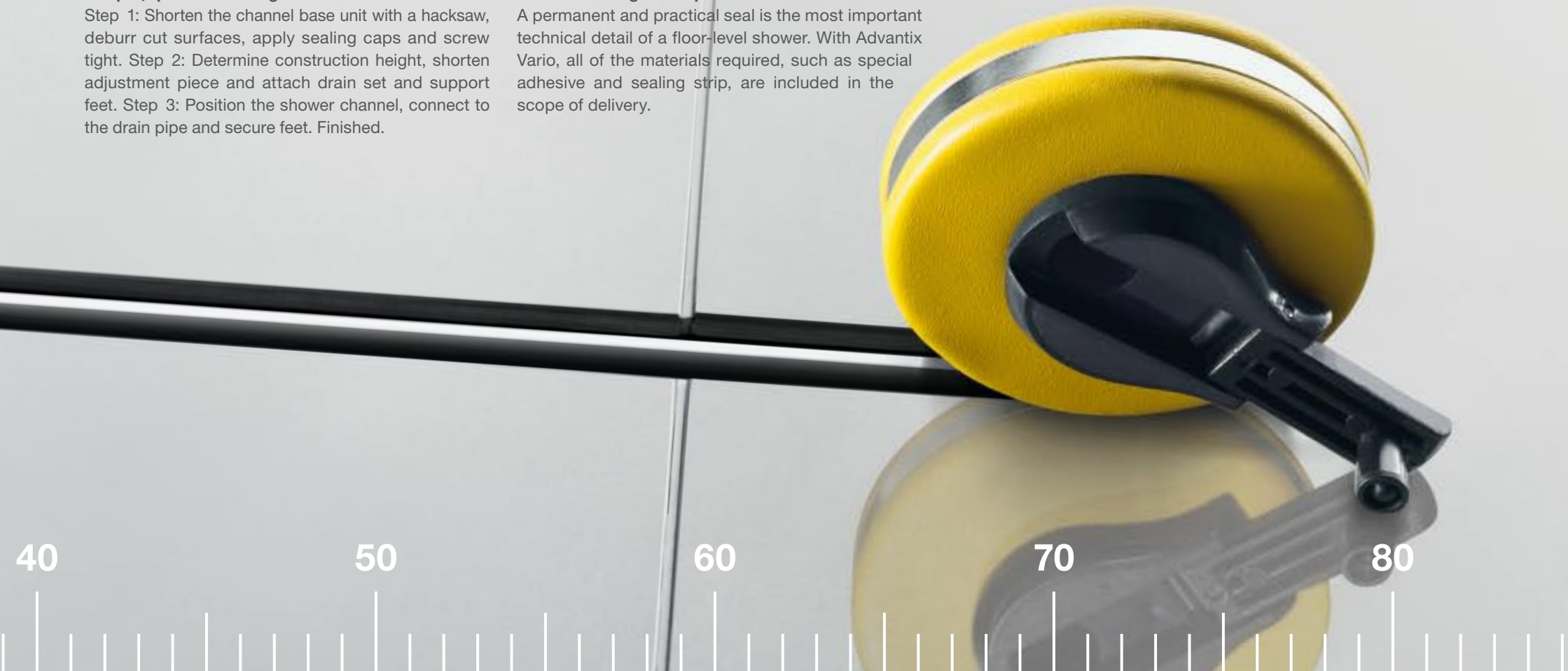


Simple, quick mounting

Step 1: Shorten the channel base unit with a hacksaw, deburr cut surfaces, apply sealing caps and screw tight. Step 2: Determine construction height, shorten adjustment piece and attach drain set and support feet. Step 3: Position the shower channel, connect to the drain pipe and secure feet. Finished.

Secure sealing concept

A permanent and practical seal is the most important technical detail of a floor-level shower. With Advantix Vario, all of the materials required, such as special adhesive and sealing strip, are included in the scope of delivery.



Viega GmbH & Co. KG
Plumbing and heating systems
Viega Platz 1
DE-57439 Attendorn
Germany
Phone +49 2722 61-1297
Fax +49 2722 61-1146
info@viega.com
www.viega.com

